

MECHANICAL SPECIFICATIONS

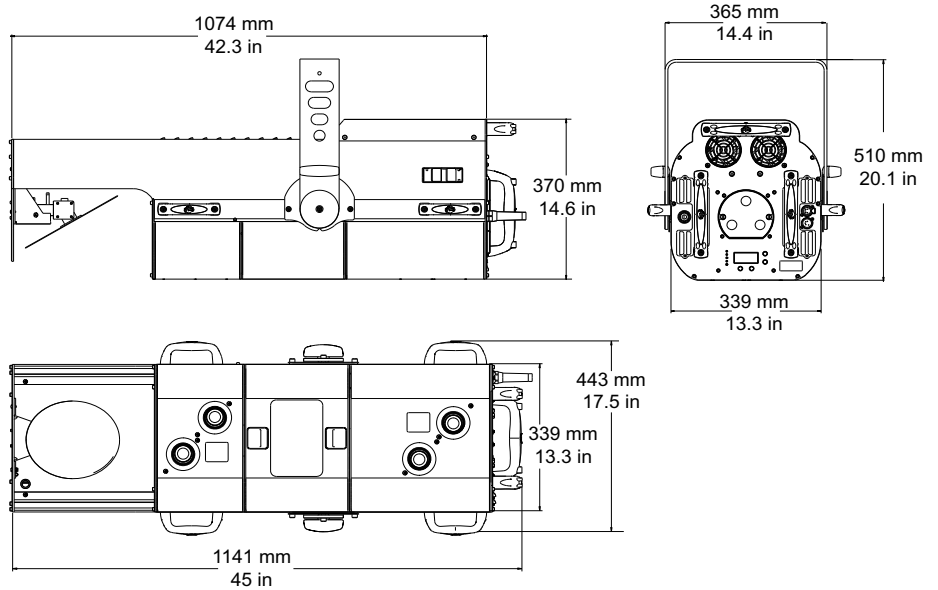
FIXTURE (WITH YOKE)	SHIPPING BOX
Dimensions:	Dimensions:
mm: 510 x 443 x 1141	mm: 565 x 1283 x 603
in: 20.1 x 17.5 x 45	in: 22.3 x 50.5 x 23.8

Fixture Weight (including yoke): 45 kg (99 lb)
Shipping Weight: (Box + fixture): 51.3 kg (113 lb)

Mounting Information: Cyberlight 2.0 can be mounted on a standard truss by attaching suitable clamps with locking washers through the holes on top of the yoke. Cheeseborough or megaclaw clamps may be purchased separately.

The Cyberlight 2.0 fixture can also stand on its end handles on a sturdy, stable surface.

Colors Available: Black



ELECTRICAL SPECIFICATIONS/ LIGHT SOURCE

Power Consumption: 12 Amps at 200V, 10 Amps at 240V

Lamp:	Philips MSR 2000 SA
Power:	2000W
Color Temperature:	7000K
Barco Rated Lamp Life:	750 hrs
CRI:	>80
CIE:	X=.320; Y=.330

OPERATION

Pan: 170°

Tilt: 90°

Zoom Range: Selectable: 13°-22° or 16°-26 (with the wide angle effect). Optional Narrow Lens: 8.5°-13°

Fixture Output: 30,000 Lumens*

DMX/RDM Connectors: 5-pin XLR

Environmental Specifications:

Maximum Ambient Temperature (T _a)	45°C (113°F)
Minimum Distance to flammable Objects	1 m (3.9 ft)
Maximum Exterior Surface Temperature	110°C (230° F)
Minimum Distance to lighted object	3m (7.6 ft)

Compliances: ETL, CE

PART NUMBERS

Fixture

19010040: Cyberlight 2.0 fixture, Black

Accessories

55030089: Replacement Lamp

19070004: Optional Road Case

55040012: Optional Narrow Angle Lens kit

DMX CONTROL

Control Options: DMX-512, Internal Effects™

Address Methods: LED Display, Fixture Talkback

DMX/RDM Data Connectors: 3-pin male and female XLR connectors

DMX Channels: 28

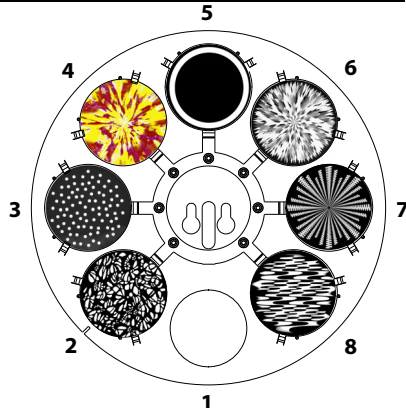
Fixtures per Universe: 18

Channel	Function
1	Pan
2	
3	Tilt
4	
5	Color Function
6	Cyan
7	Magenta
8	Yellow
9	Static Color Function
10	Static Color Position
11	Static Gobo Function
12	Static Gobo Position
13	Rotating Gobo Position
14	Rotating Gobo Rotate Function

Channel	Function
15	Rotating Gobo Rotate
16	
17	Effect Function
18	Effect Position
19	Frost
20	Zoom
21	Focus
22	Iris
23	Shutter/Lamp Function
24	Shutter
25	Dim
26	MSpeed
27	Macro
28	Control

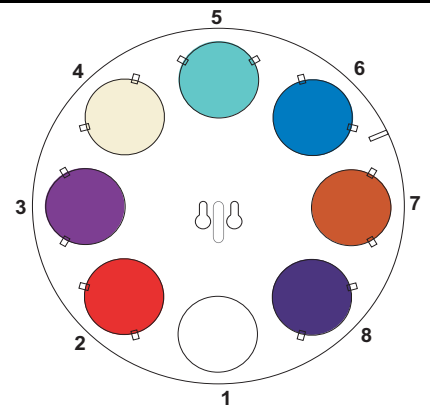
Static Gobo Wheel

Position	Description
1	Open
2	Leaves
3	Dots
4	Abyss
5	Tunnel
6	Sharp Burst
7	Lapse
8	Groovy



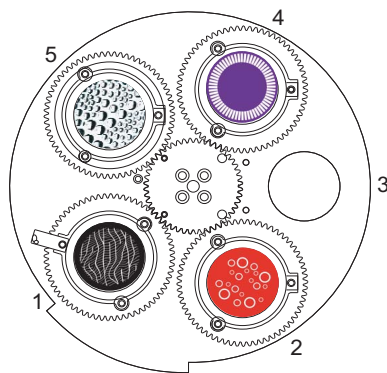
Static Color Wheel

Position	Description
1	Open
2	Red
3	Purple
4	CTO
5	Aqua
6	Dark Blue
7	Dark Orange
8	Indigo



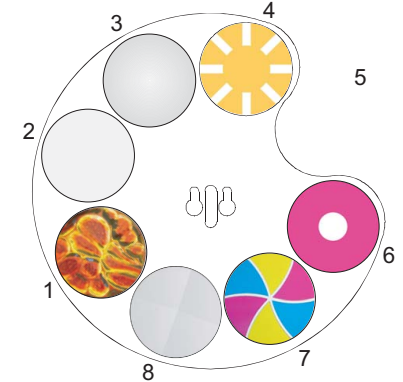
Rotating Gobo Wheel

Position	Description
1	Net
2	Red Rings
3	Open
4	Indigo Chicklet
5	Droplets



Effects Wheel

Position	Description
1	Amber Stony
2	Diffusion
3	Wide Angle
4	Yellow Burst
5	Open
6	Magenta Ring
7	Tri-color Mosaic
8	Prism



© 2009, Barco Lighting Systems, Inc. All specifications subject to change without notice.